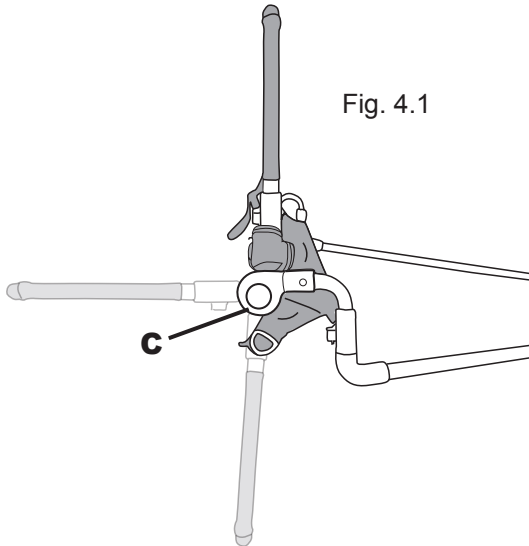


When the bed is not being used, fold the bed barrier downwards.
Press the adjustment buttons C on both folding joints and fold the bed barrier to the medium position. Press adjustment buttons C again and fold the bed barrier downwards (Fig. 4.1)

Fig. 4.1

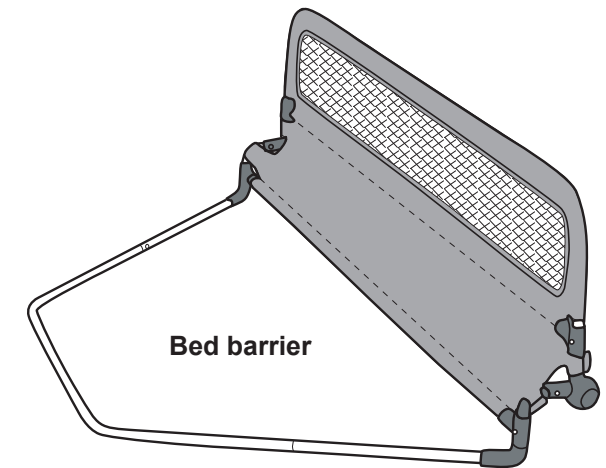


! WARNINGS !

During the day, or when the bed is not being used, fold the bed barrier downwards.
The stability of the bed barrier is guaranteed only if the child's weight is on the folding arms under the mattress.
The bed barrier is only an accessory. It does not relieve adults of their responsibility to mind the children!
Keep the plastic bag away from children: Danger of suffocation!

USER'S INSTRUCTIONS

IMPORTANT: Read these instructions carefully before use and keep them for future reference. Your child's safety may be affected if you do not follow these instructions.



MARKETING AND DISTRIBUTION
MARCO HANDELSGESELLSCHAFT M.B.H.
A-5440 GOLLING, AUSTRIA
www.marco4bb.com

© MARCO HANDELSGESELLSCHAFT M.B.H., 2006
A-5440-Golling, Austria

ASSEMBLY

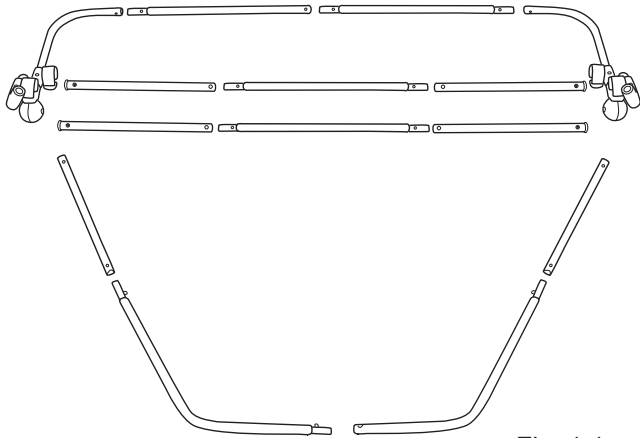


Fig. 1.1

Fit the tubes together as shown in Fig. 1.1 and Fig. 1.2.
Make sure that the index pins engage.

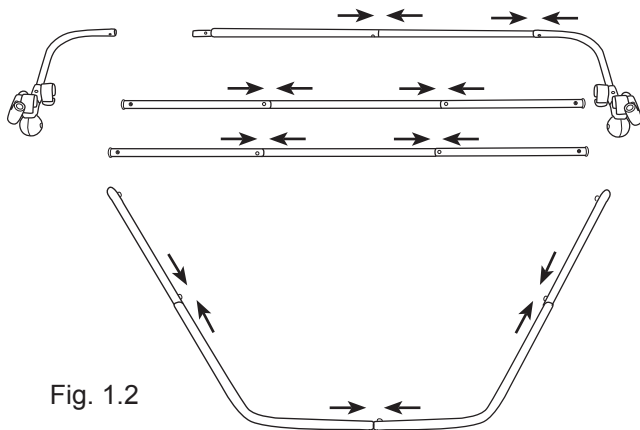


Fig. 1.2

COVER

Pull the cover over the tubes as shown in Fig. 2.1.

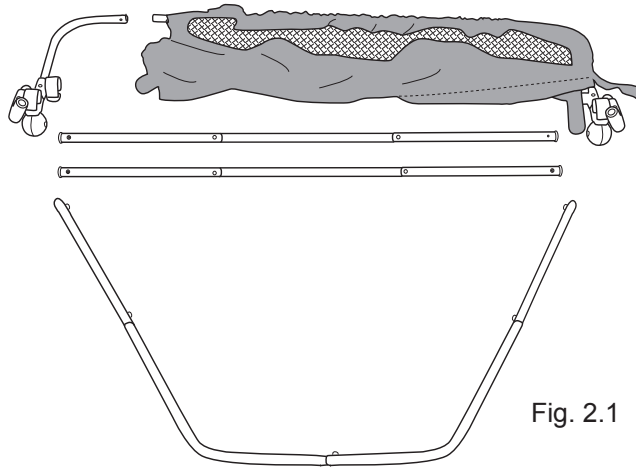


Fig. 2.1

Push the frame tubes A and B through the seams a and b of the cover (Fig. 2.2, Fig. 3.1).
Make sure that the catches on both sides engage properly.
(Fig. 3.2)

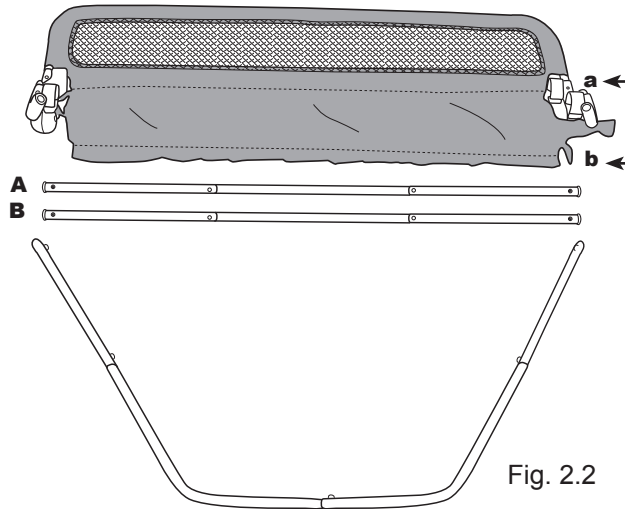


Fig. 2.2

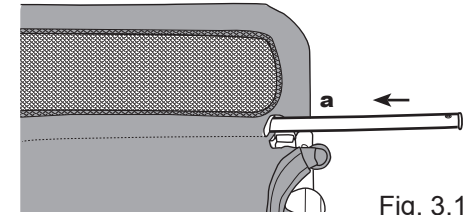


Fig. 3.1

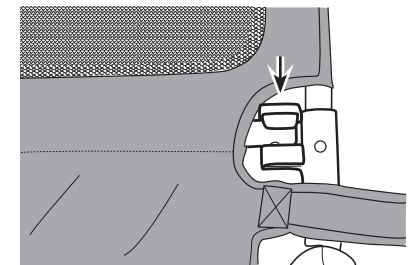


Fig. 3.2