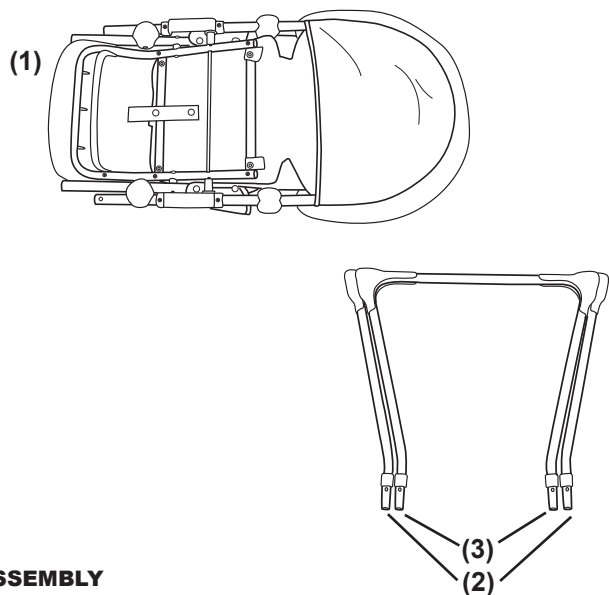


PARTS:

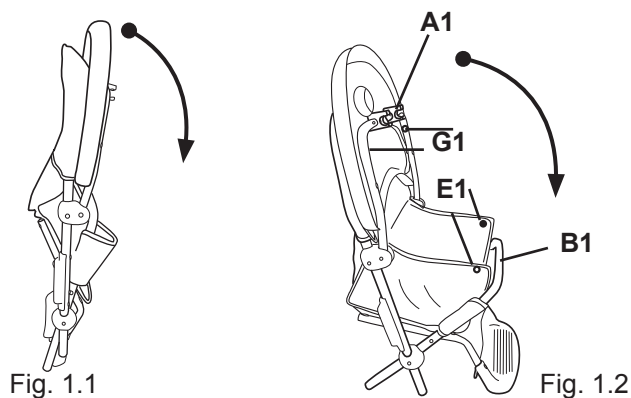
The MARCO Peter high chair consists of:

- (1) Seat with eating/play tray
- (2) Front leg element
- (3) Rear leg element



ASSEMBLY

- 1.) Unfold the seat (Fig. 1.1, 1.2)



- 2.) Fasten the crotch strap C1 on the frame tube B1. (Fig. 1.3)
- 3.) Push the eating/play tray onto the frame tube B1 until you distinctly feel the clamps A1 engage. Fasten it additionally with strap D1. (Fig. 1.2, 1.3)
- 4.) Press the press studs E1 firmly on their counterparts G1 (Fig. 1.2) on both sides of the frame tube underneath the eating/play tray.

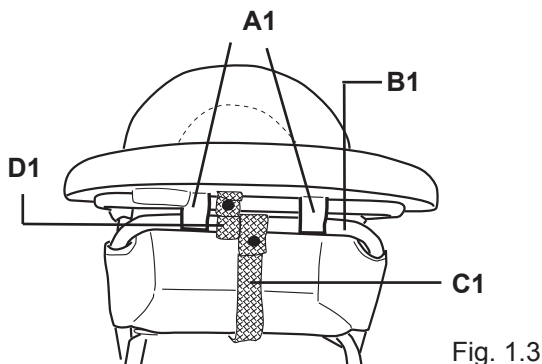


Fig. 1.3

ASSEMBLY OF LEGS

Push the tubes of the leg elements (2) and (3) into the frame tubes so that the index pins A2 distinctly engage in the openings of the frame tubes. (Fig. 2)

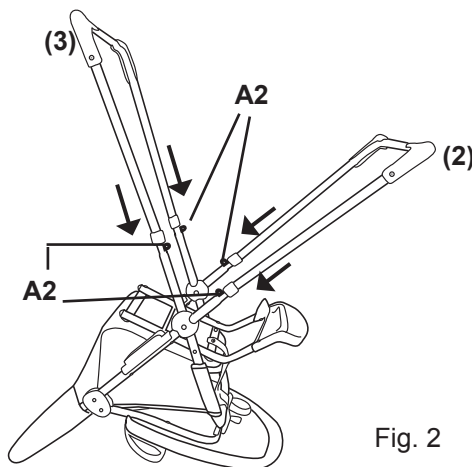


Fig. 2

TO REMOVE THE TEXTILE UNIT

Open the velcro tape on the rear side of the backrest and remove the board A3.

(fig. 3.1)

Open all press studs (on both sides and on the underside of the seat).

Open the belt B3 on the underside of the seat and pull the crotch strap C3 through the opening in the textile unit. (fig. 3.2)

Take the textile unit off the frame.

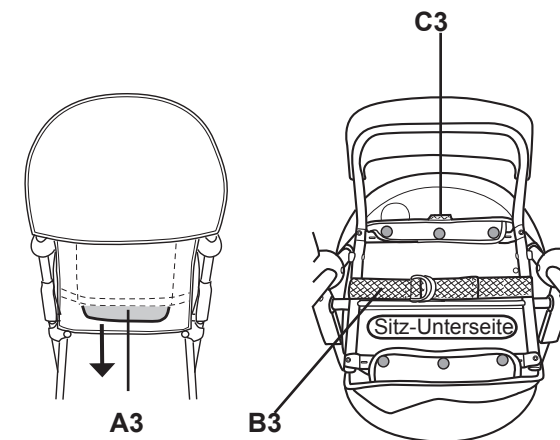


Fig. 3.1

Fig. 3.2

MAINTENANCE

The seat unit is fixed on the frame with press studs. It is easy to remove and can be washed by hand at 30°C.

The frame and the plastic parts should be wiped with a damp cloth and mild soap. Don't use strong detergents, they could damage plastic.

HARNESSES

In order to ensure maximal safety and at the same time mobility for your child, the MARCO Peter high chair is equipped with a safety harness.

Make sure that the belts are adjusted to the correct length so that they cannot slip.

To fasten the belt, put both plastic tongues into the buckle A4.

Put the shoulder straps B4 over your child's shoulders and fasten them by putting the snap links C4 in the loops of buckle A4.

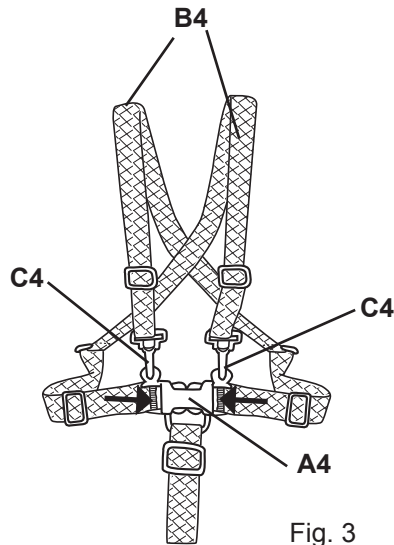


Fig. 3

NOTE

The high chair is not suitable for children who cannot sit unaided yet.
Spare parts or accessories which are not approved by the manufacturer or dealer may not be used.
All parts of the high chair should be inspected regularly to ensure that they function properly.
Please do not make any changes that could affect the safety.

WARNINGS

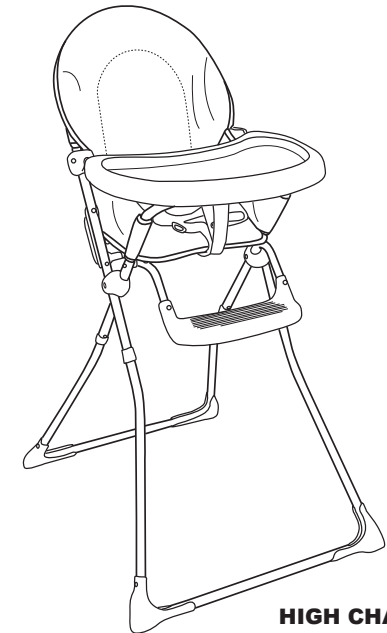
WARNING: It may be dangerous to leave your child unattended.
WARNING: Ensure that all the locking devices are engaged before use.
WARNING: Never place the high chair in reach of sockets, heaters or similar sources of danger.
WARNING: Ensure that the high chair is placed on a firm level surface.

SAFETY

Always ensure that your child is safely belted in.

USER'S INSTRUCTIONS

IMPORTANT: Read these instructions carefully before use and keep them for future reference. Your child's safety may be affected if you do not follow these instructions.



HIGH CHAIR

MARKETING AND DISTRIBUTION
MARCO HANDELSGESELLSCHAFT M.B.H.
A-5440 GOLLING, AUSTRIA
www.marco4bb.com