

**TO OPEN**

Open strap A1 (Fig. 1) on the side of the stroller, and pull the pushchair upwards by the handlebar, until it clicks into place.

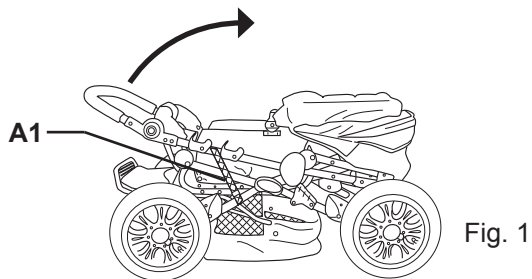


Fig. 1

**TO FOLD**

The backrest must be in the flat position, the handlebar must be in the regular position (behind the child - Fig. 3). Pull the levers A2 upwards on both sides (Fig. 2.1, Fig. 2.2). Now the pushchair can be folded a bit. Press the safety lock B2 down with your foot (Fig. 2.1, Fig. 2.3). Fold the stroller completely. Close the straps A1.

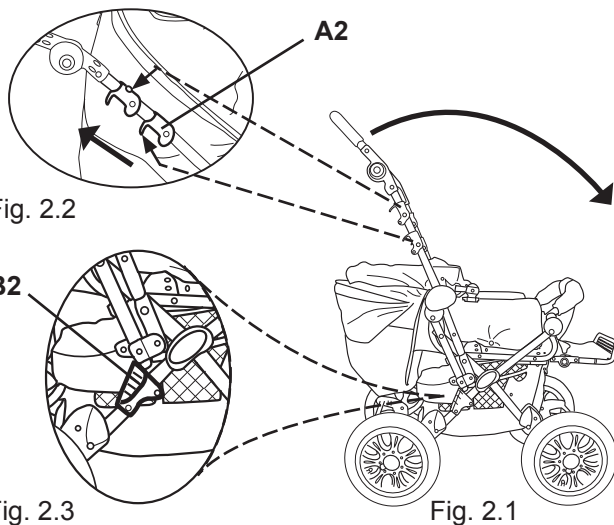


Fig. 2.2

Fig. 2.3

Fig. 2.1

**TO REVERSE THE HANDLEBAR**

To reverse the handlebar, press the buttons A3 on both sides of the handlebar, pull up the two levers B3 and swing the handlebar into the required position until you hear it engage. (Fig. 3)

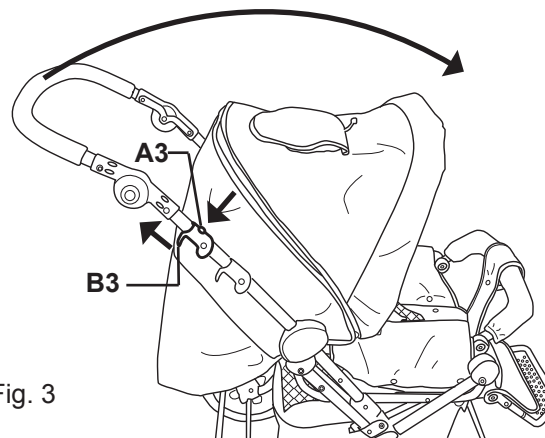


Fig. 3

**TO FIT THE WHEELS (FRONT AND REAR)**

The front and rear wheels, and the front and rear axles are identical on the MARCO Vera S.

**AXLES:** push the axles A4 onto the frame tubes so that the spring buttons engage into the corresponding openings on the axle mountings B4 (Fig. 4.1)

**WHEELS.** Press in the spring clip C4, and push the wheels onto the axle until they engage. (Fig. 4.1, Fig. 4.2)

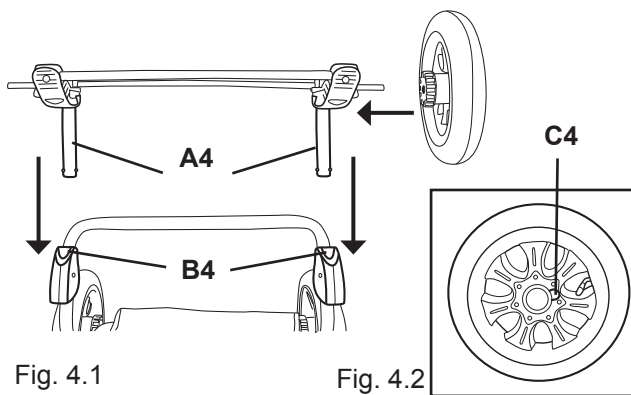


Fig. 4.1

Fig. 4.2

**TO FIX AND TO RELEASE THE BRAKES**

The MARCO Vera S is fitted with a „one-touch“ brake on both front and rear side.

**TO FIX THE BRAKE:** Press down the brake lever A5 with your foot until you feel it engage (Fig. 5)

**TO RELEASE THE BRAKE:** Press the brake lever A5 upwards (Fig.5)

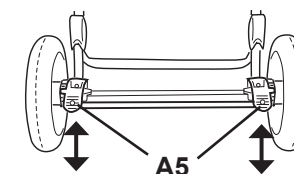


Fig. 5

**TO REMOVE AND REFIT THE SAFETY BAR**

**TO FIT:** Insert the safety bar holders on both sides into the corresponding opening A6. (Fig. 6)

**TO REMOVE:** Press the points B6 and remove the safety bar by pulling it forwards. (Fig. 6)

**TO ADJUST:** Press the buttons C6 at each side of the safety bar and adjust to the required position. (Fig. 6)

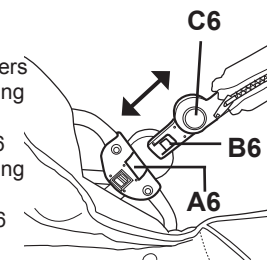


Fig. 6

**TO ADJUST THE HANDLEBAR**

In order to adjust the height of the handlebar, press in the buttons A7 on either side of the handlebar (Fig.7) and move it to the required position.

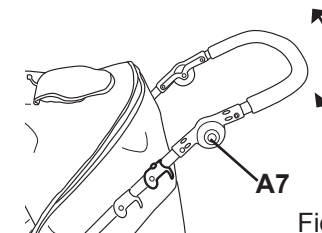


Fig. 7

**SAFETY HARNESS**

The MARCO Vera has a five-point shoulder harness. (Fig. 8) Always use the crotch strap A8 in combination with the waist belts B8. Adjust belt to ensure a snug fit.

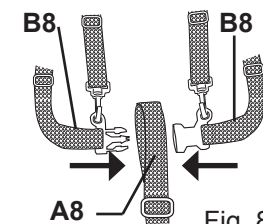


Fig. 8

**TO ADJUST THE BACKREST**

The backrest can be adjusted to three positions. Pull up the backrest release A9 and adjust the backrest into the required position. (fig. 9)

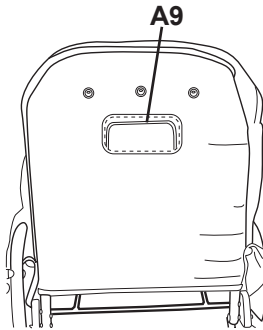


Fig. 9

**TO ADJUST THE LEG REST**

To adjust the legrest, press the buttons A10 at each side of the legrest joint and adjust to the required position. (Fig. 10)

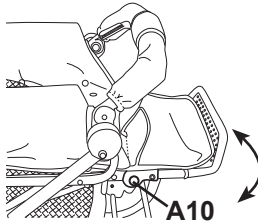


Fig. 10

**TO FIT THE CANOPY**

Insert the canopy holders on both sides into the corresponding openings A11. (Fig. 11.1, Fig. 11.2)  
To remove, press the buttons B11 and pull the canopy holders out of the openings A11.

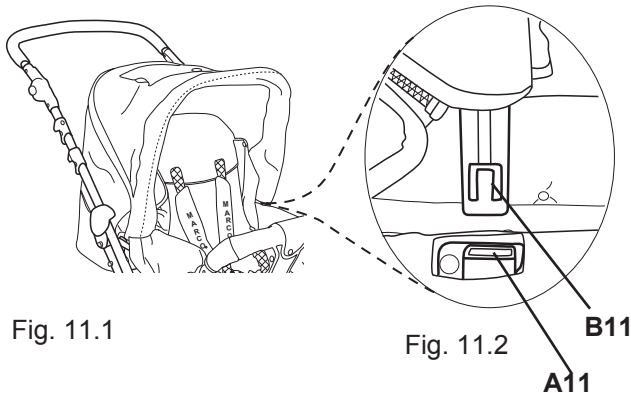


Fig. 11.1

Fig. 11.2

B11

A11

**TO FIT THE CARRY COT**

The backrest and the footrest should be positioned flat. The safety bar A12 should be removed (Fig.6). Put the carry cot into the stroller, and secure it by refitting the safety bar A12.

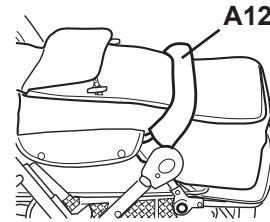


Fig. 12

**! MAINTENANCE !**

The textiles are easily removable and handwashable at 30° C. The frame should be wiped with a damp cloth and mild soap. Don't use strong detergents, they could damage plastic. The tyres can be pumped up with a bicycle pump. Faulty tubes can be repaired with a bicycle puncture repair kit. Regularly lubricate the moving parts with silicon oil or silicon spray.

**! NOTE !**

This vehicle is intended for children from birth, and up to a maximum weight of 15kg. The net basket should not be loaded with more than 3 kg. The vehicle is designed to be used by one child only. Spare parts or accessories which are not approved by the manufacturer or dealer may not be used. Periodically check all parts for wear or damage. Lubricate wheels and metal parts. Do not use stroller if any component is broken or damaged. Please do not make any changes to the stroller that could affect the safety.

**! WARNINGS !**

- WARNING: It may be dangerous to leave your child unattended.
- WARNING: Ensure that all the locking devices are engaged before use.
- WARNING: Any load attached to the handle affects the stability of the pram/pushchair.
- WARNING: Always use the crotch strap in combination with the waist belts.

**USER'S INSTRUCTIONS**

We congratulate you on your purchase of this reversible handlebar pushchair. The MARCO Vera S offers optimal performance + value and is very easy to use.



**IMPORTANT:** Read these instructions carefully before use and keep them for future reference. Your child's safety may be affected if you do not follow these instructions.

MARKETING AND DISTRIBUTION  
MARCO HANDELSGESELLSCHAFT M.B.H.  
A-5440 GOLLING, AUSTRIA  
[www.marco4bb.com](http://www.marco4bb.com)