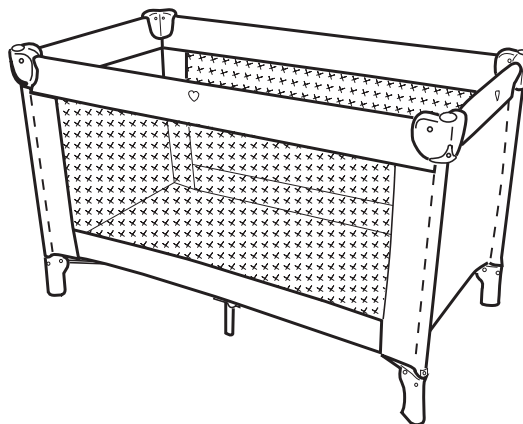


! WARNINGS !

The cot is ready use, only when the locking mechanisms of the folding system are engaged.

Take care not to leave anything in the cot which the child could use to climb up on, or which could cause suffocation or strangulation.

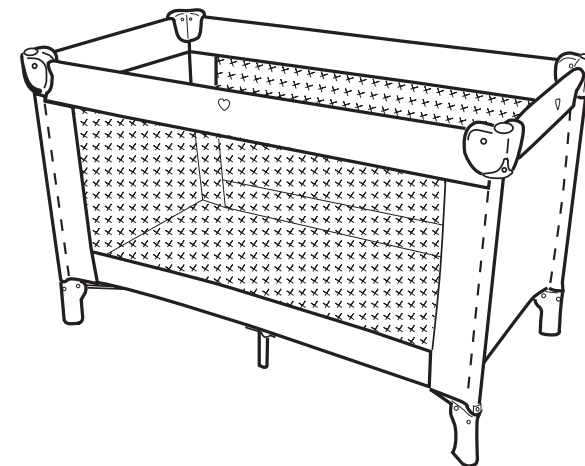
Keep the cot away from open fire and other sources of strong heat, such as electric radiators and gas fires.



www.marco4bb.com

USER'S INSTRUCTIONS
MARCO Sandman /Sandy

IMPORTANT: Read these instructions carefully before use and keep them for future reference. Your child's safety may be affected if you do not follow these instructions



Travel cot

MARKETING AND DISTRIBUTION
MARCO HANDELSGESELLSCHAFT M.B.H.
A-5440 GOLLING, AUSTRIA
www.marco4bb.com

© MARCO HANDELSGESELLSCHAFT M.B.H., 2003
A-5440-Golling, Austria

TO OPEN

- Take the travel cot out of the bag and stand as per fig. 1
- Remove the mattress (three velcro fasteners A) - fig.2
- Partially erect the travel cot (the floor must remain raised) - fig.3
- Pull the four folding joints (on the top rails of the cot) upwards until you hear them engage - fig.3
- Push the floor joint (under the floor loop) downwards - fig.4
- Lay the mattress on the floor of the cot. Push the 4 velcro tapes B through the openings in the mattress and fix them to the underside of the cot - fig. 4

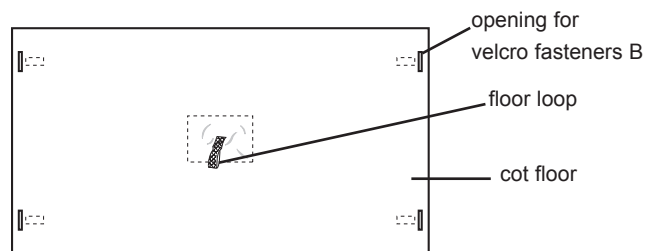
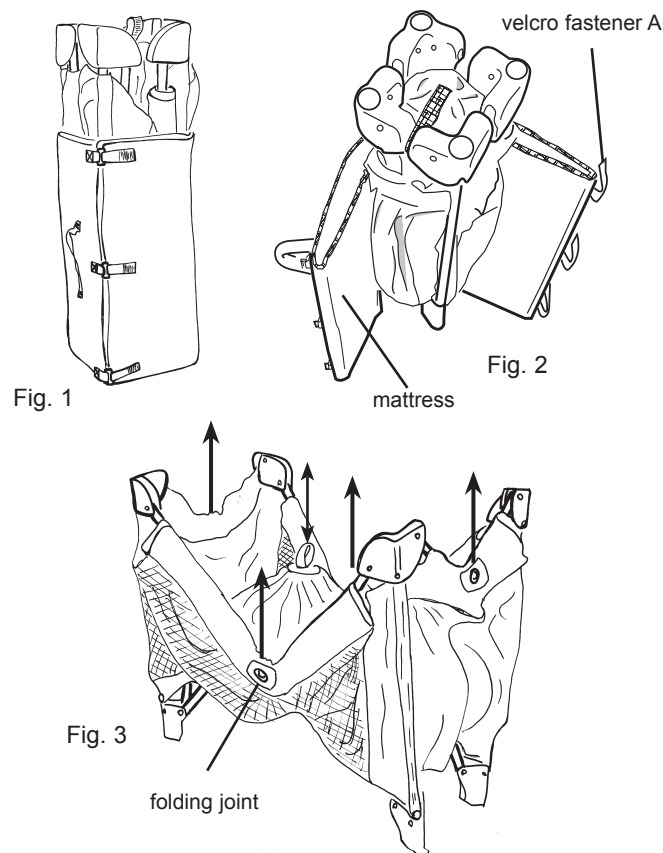


Fig. 4

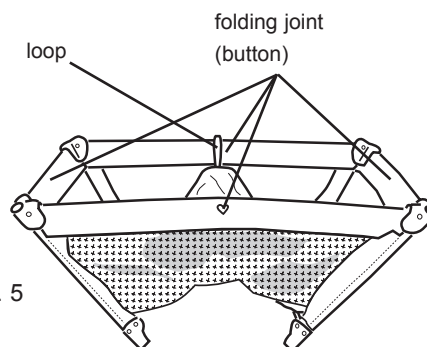


Fig. 5

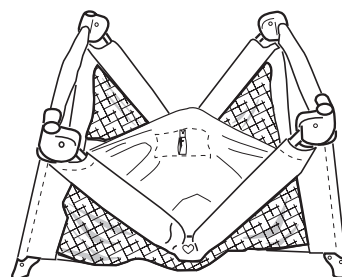


Fig. 6



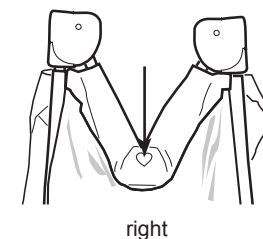
Fig. 7

TO CLOSE

- Open the velcro fasteners B and take out the mattress
- Press the floor down flat. Pull up the loop in the middle of the cot floor firmly - fig. 5
- Release the folding joints on the top cot rails by raising them slightly then pressing the button and pushing downwards - Fig. 5, Fig. 6, Fig. 8.1, 8.2
- Pull the loop right up and fold the cot - fig. 7
- Fold both end sections of the mattress inwards. Fold the mattress around the cot (fig. 2) and secure with the 3 velcro fasteners A - fig 1
- Put into the bag

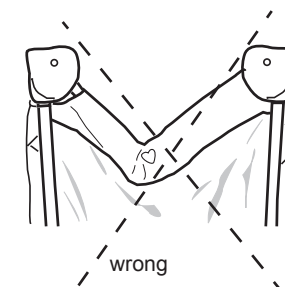
ATTENTION

When folding the cot, take care that the folding joints are properly collapsed (fig 8.1, 8.2)



right

Fig. 8.1



wrong

Fig. 8.2

SAFETY

Before putting your child in the MARCO SANDMAN / SANDY travel cot, make sure again that the 4 folding joints and the floor joint are properly engaged.