

**TO OPEN**

Open the hook A1 (Fig. 1.1) on the side of the stroller, and pull the pushchair upwards by the handlebar, until it clicks into place. (Fig. 1.1, Fig. 1.2)

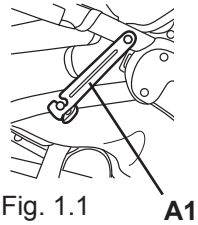


Fig. 1.1

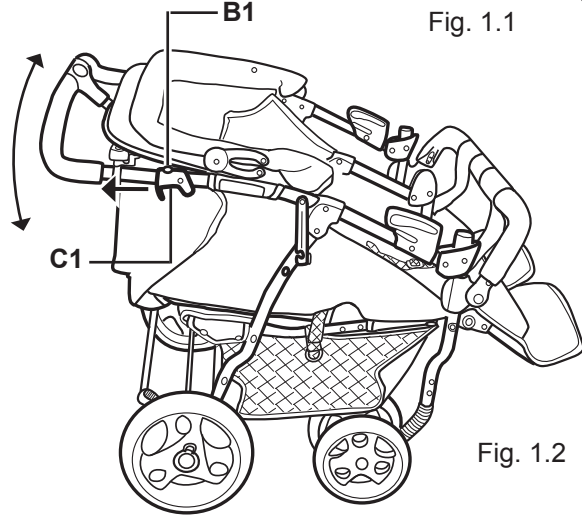


Fig. 1.2

**TO FOLD**

Fold the canopy. Put the backrest in lie back position and adjust the footrest in the lowest position. Press the button B1 and pull the levers C1 upwards on both sides. Fold the stroller and close the hook A1. (Fig. 1.1, Fig. 1.2)

**TO FIT THE FRONT WHEELS**

Push the double wheel blocks A2 onto the upper front wheel housings B2 until they engage. (Fig. 2)

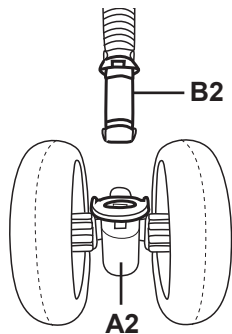


Fig. 2

**REAR WHEELS AND AXLE**

**AXLE:** Push the axle bar A3 onto the rear frame tubes, so that the spring-buttons B3 fit into the openings C3 on the rear axle mountings and engage (Fig. 3.1).

**WHEELS:** Press in the spring-clip D3 and push the wheel onto the axle bar A3 until it you distinctly hear it engage (Fig. 3.1, Fig. 3.2)

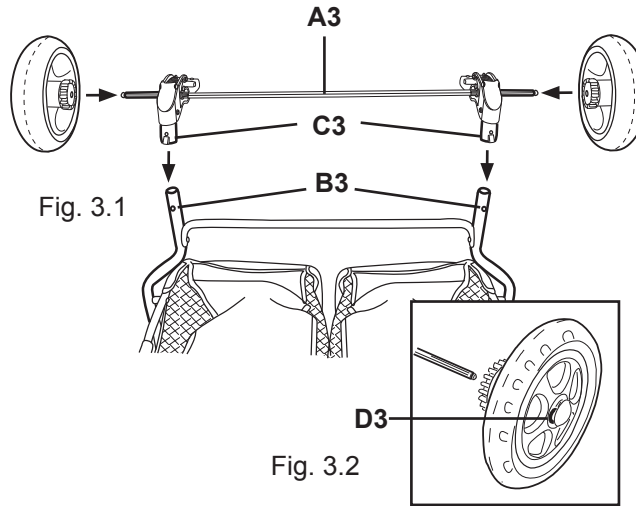


Fig. 3.1

Fig. 3.2

**TO FIX AND TO SWIVEL THE FRONT WHEELS**

**TO FIX:** Turn the front double wheels so that the fixing lever A4 faces the front. Push the lever A4 on the double wheel block upwards until it engages. (Fig. 4)

**TO SWIVEL:** Press the lever A4 on the double wheel block downwards. (Fig. 4)

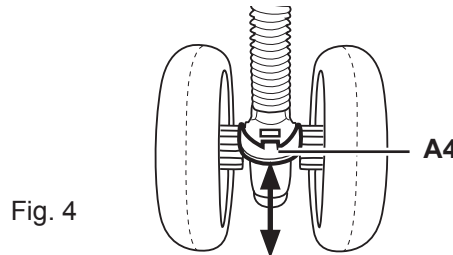


Fig. 4

**TO FIX AND RELEASE THE BRAKES**

**TO FIX:** Press down the one-touch brake levers A5 with your foot until you distinctly feel the brakes engage. (Fig. 5)

**TO RELEASE:** Push the brake levers A5 upwards. (Fig. 5)

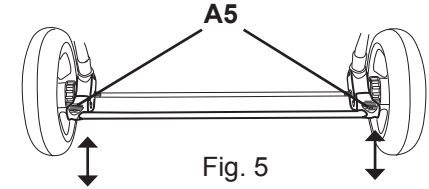


Fig. 5

**TO ADJUST THE LEG REST**

To adjust the legrest, press the buttons A6 at each side of the legrest joint and adjust to the required position. (Fig. 6)

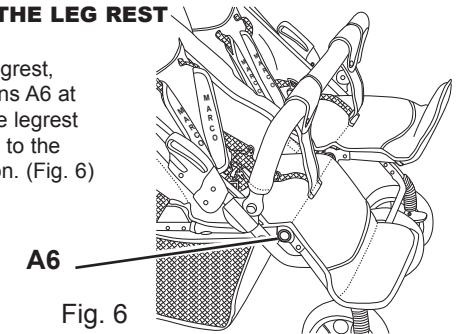


Fig. 6

**SAFETY HARNESS**

The MARCO Duplo has a five-point shoulder harness. (Fig. 7)

Always use the crotch strap A7 in combination with the waist belts B7.

Adjust belt to ensure a snug fit.

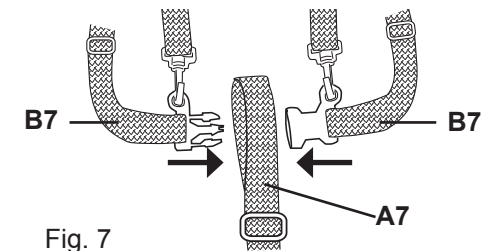


Fig. 7

### TO ADJUST THE BACKREST

The backrests can be adjusted to three positions, independently of each other. Pull up the backrest release A8 and adjust the backrest into the required position. (Fig. 8)

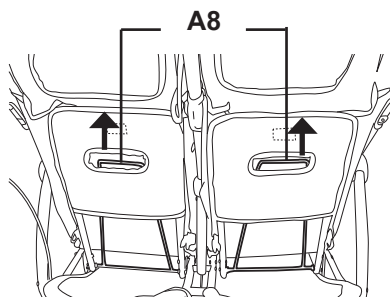


Fig. 8

### SAFETY BAR

**TO FIT:** Press the safety bar fittings A9 onto the frame tubes as shown in Fig. 9.

**TO ADJUST:** Press the buttons B9 on both sides of the safety bar and adjust it into the desired position. (Fig. 9)

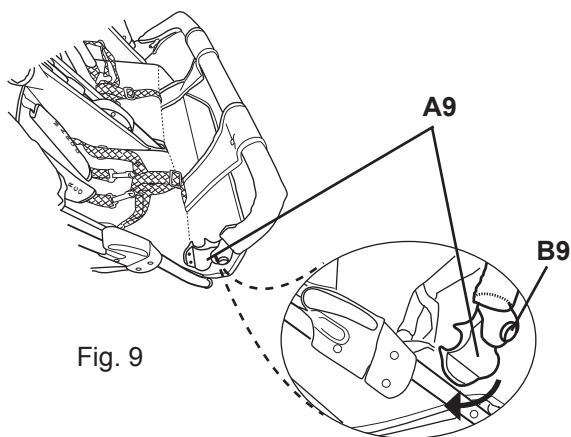


Fig. 9

### TO FIT THE CANOPY

Insert the canopy holders on both sides into the corresponding openings B10. (Fig. 10)

To remove, press the buttons A10 and pull the canopy holders out of the openings B10.

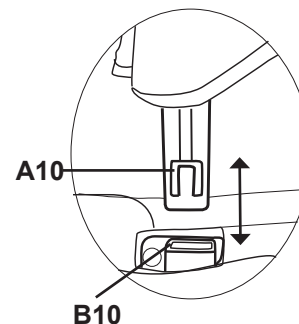


Fig. 10

### MAINTENANCE

The textiles are easily removable and handwashable at 30° C. The frame should be wiped with a damp cloth and mild soap. Don't use strong detergents, they could damage plastic. Regularly lubricate the moving parts with silicon oil or silicon spray.

### NOTE

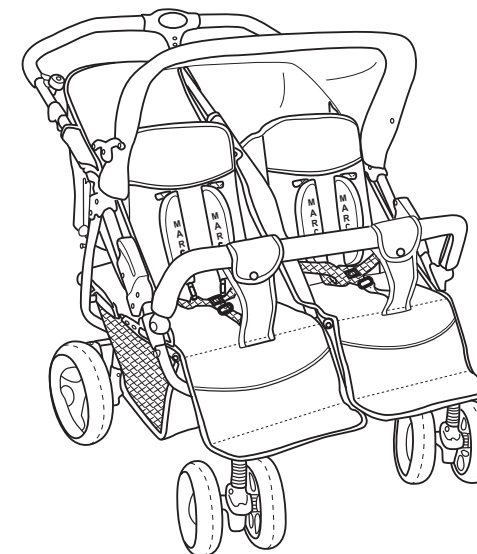
This vehicle must not be used for more than 2 children at the same time.  
This vehicle is intended for 2 children up to a maximum weight of 15kg (per child).  
The net basket should not be loaded with more than 3 kg.  
Spare parts or accessories which are not approved by the manufacturer or dealer may not be used.  
All parts of the vehicle should be inspected regularly to ensure that they function properly.  
Please do not make any changes to the stroller that could affect the safety.

### WARNINGS

- WARNING: It may be dangerous to leave your children unattended.
- WARNING: Ensure that all the locking devices are engaged before use.
- WARNING: Any load attached to the handle affects the stability of the pram/pushchair.
- WARNING: Always use the crotch strap in combination with the waist belts.

## USER'S INSTRUCTIONS

We congratulate you on your purchase of your twin-stroller. The MARCO Duplo offers optimal performance + value and is very easy to use.



**IMPORTANT:** Read these instructions carefully before use and keep them for future reference. Your child's safety may be affected if you do not follow these instructions.

MARKETING AND DISTRIBUTION  
MARCO HANDELSGESELLSCHAFT M.B.H.  
A-5440 GOLLING, AUSTRIA  
[www.marco4bb.com](http://www.marco4bb.com)

© MARCO HANDELSGESELLSCHAFT M.B.H., 2006  
A-5440-Golling, Austria