

TO OPEN

Lightly press the stroller together and open the locking straps A1 (Fig. 1.1). Pull the stroller upwards by the handlebar and push it forwards at the same time until the frame locks on both sides engage. Fig. 1.2

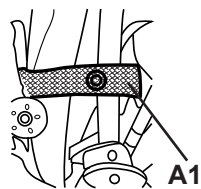


Fig. 1.1

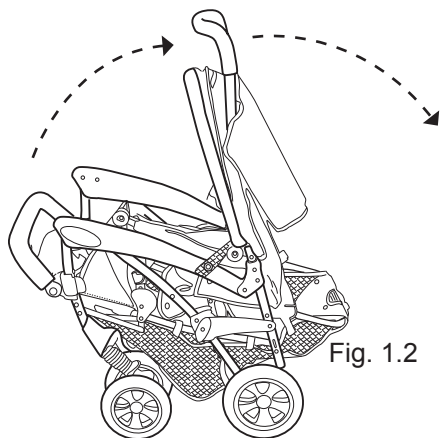


Fig. 1.2

TO FIT THE REAR WHEELS

WHEELS: Push the parts in the following order onto the axle: Wheel A2, clamp ring B2, wheel retainer cap C2, hubcap D2 (Fig. 2.1)

AXLE: Push the rear wheel axle onto the rear frame tubes E2 until they engage (Fig. 2.2)

IMPORTANT: the brake levers must face towards the back.

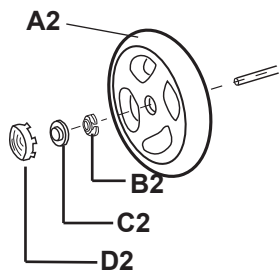


Fig. 2.1

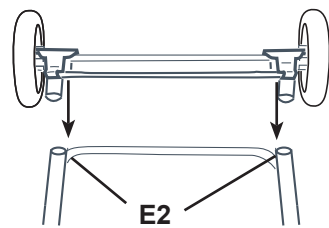


Fig. 2.2

TO FIT THE FRONT WHEELS

Turn the wheels forwards so that the guide inside the front wheel castor A3 will fit into the opening of the axle B3. Push the front wheel castor A3 onto the axle B3 until it engages. (Fig. 3)

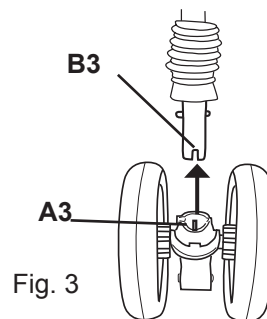


Fig. 3

TO FIX AND TO RELEASE THE BRAKES

The MARCO Tandem is fitted with a „one-touch“ brake.

TO FIX THE BRAKE: Press down the brake bar A4 with your foot until you can feel it engage (Fig. 4)

TO RELEASE THE BRAKE: Press the brake bar A4 upwards (Fig.4)

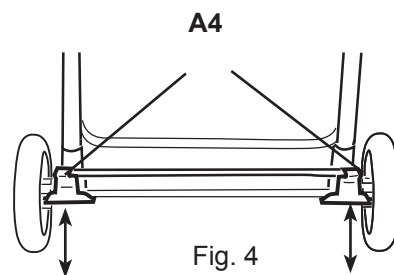


Fig. 4

SAFETY
Before putting your children in the MARCO Tandem, engage the brakes to make sure it doesn't roll away.

SAFETY
Never leave the MARCO Tandem without engaging the brakes.

TO OPEN AND TO FASTEN THE SAFETY BELT

Both seats of the MARCO Tandem are fitted with a 5-point harness system.

TO OPEN: See Fig. 5
TO CLOSE: See Fig.5

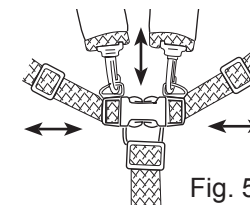


Fig. 5

SAFETY
Always ensure that your child is safely belted in.

TO REMOVE AND REFIT THE SAFETY BAR

TO REMOVE: Open the fitting levers A6 on both sides, and remove the bumper

TO FIT: Put the bumper onto the frame and close the fitting levers A6 on both sides.

TO ADJUST: Press the buttons B6 on both sides of the bumper and adjust it into the desired position. (Fig. 6)

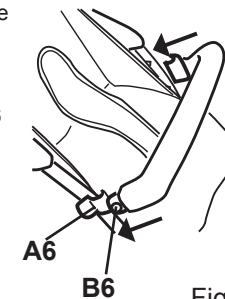


Fig. 6

TO FIX AND TO SWIVEL THE FRONT WHEELS

TO FIX: Turn the front double wheels so that the fixing lever A7 faces the front. To fix the wheels, push the fixing lever A7 upwards until it engages. (Fig. 7)

TO SWIVEL: Press the lever A7 on the double wheel block downwards (Fig. 7)

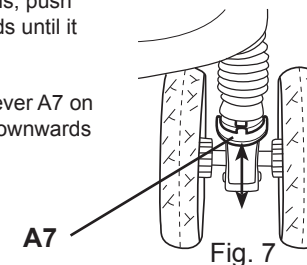


Fig. 7

TO ADJUST THE BACKRESTS

Pull up the backrest release A8 and adjust the backrest into the required position. (Fig. 8).

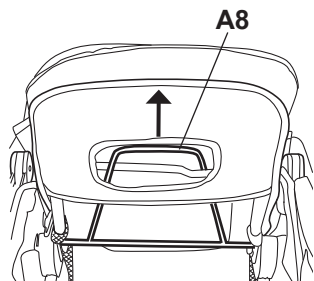


Fig. 8

TO FOLD

Before folding the stroller, put both backrests in the upright position. Close the front canopy and the back canopy. Pull up the locking levers A9 on both sides of the handlebar, and press the safety lock B9 down with your foot. Fold the stroller completely. Close the straps. (Fig.9)

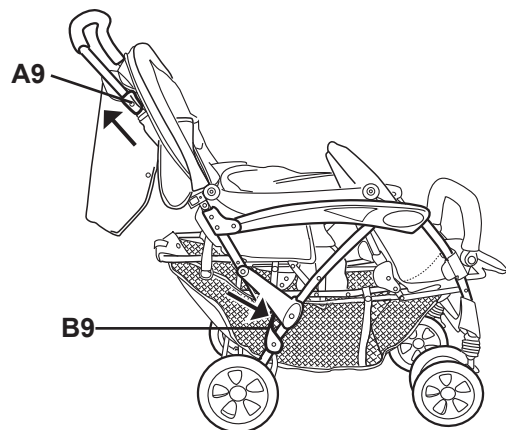


Fig. 9

TO FIT THE CANOPY

Put the canopy fixations on both sides into the corresponding openings B10. (Fig. 10)
To remove, press the buttons A10 and pull the canopy fixations out of the openings B10.

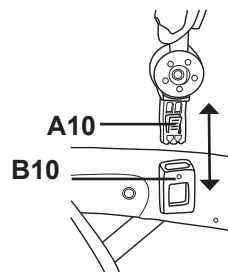


Fig. 10

MAINTENANCE

The textiles are removable and handwashable at 30° C with a mild soap. Air-dry them afterwards. Don't put the textiles in the tumble drier! The frame should be wiped with a damp cloth and mild soap. Don't use strong detergents. Regularly lubricate the moving parts with silicon oil or silicon spray.

NOTE

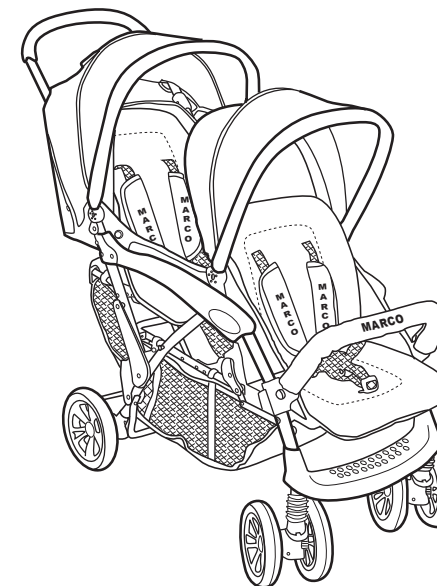
This vehicle must not be used for more than 2 children at the same time. The front seat is not suitable for children under 6 months. This vehicle is intended for 2 children up to a maximum weight of 15kg. The net basket should not be loaded with more than 3 kg. Spare parts or accessories which are not approved by the manufacturer or dealer may not be used. All parts of the vehicle should be inspected regularly to ensure that they function properly. Please do not make any changes to the stroller that could affect the safety.

WARNINGS

WARNING: It may be dangerous to leave your child unattended.
WARNING: The front seat is not suitable for children under 6 months.
WARNING: This product is not conceived for run or for skate.
WARNING: Ensure that all the locking devices are engaged before use.
WARNING: Any load attached to the handle affects the stability of the pram/pushchair.
WARNING: Use a harness as soon as your child can sit unaided.
WARNING: Always use the crotch strap in combination with the waist belt.

USER'S INSTRUCTIONS

We congratulate you on your purchase of this stroller „for 2“ This pushchair offers optimal performance and value and is very easy to use.



IMPORTANT: Read these instructions carefully before use and keep them for future reference. Your child's safety may be affected if you do not follow these instructions

MARKETING AND DISTRIBUTION
MARCO HANDELSGESELLSCHAFT M.B.H.
A-5440 GOLLING, AUSTRIA
www.marco4bb.com

© MARCO HANDELSGESELLSCHAFT M.B.H., 2005
A-5440-Golling, Austria