

ASSEMBLY

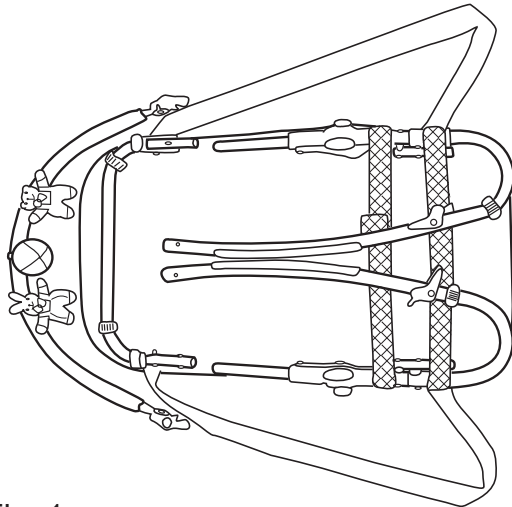


Fig. 1

Fold the frame tubes outwards and put them together as shown in Fig. 2 until they engage.

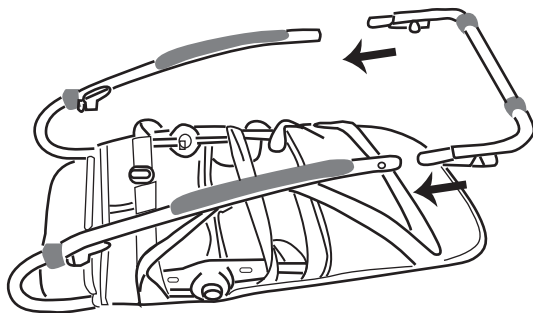


Fig. 2

BLOCK AND RELEASE THE ROCKING MOVEMENT

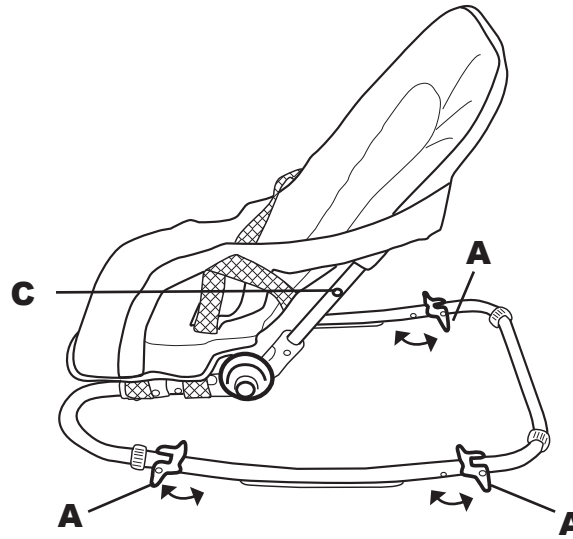


Fig. 3

To rock, fold back the locking mechanisms A. To block the movement, fold them out again. (Fig. 3)

TO FIT THE CANOPY

Close the clips B on both sides of the canopy around the frame tubes. Make sure that they engage in the openings C. (Fig. 4)

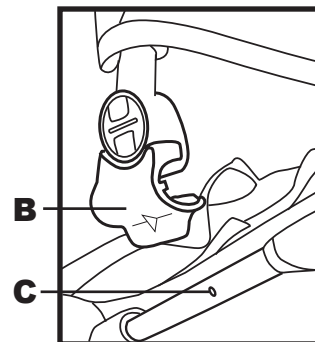


Fig. 4

TOY BAR

Fix the toy bar on the frame tubes with the clips D. Adjust it so that the toys are out of the child's reach. (Fig. 5)

!	WARNING	!
<p>The play bar is only an additional article. Never misuse the play bar to carry the rocker! Carry the rocker by the carrying straps.</p>		

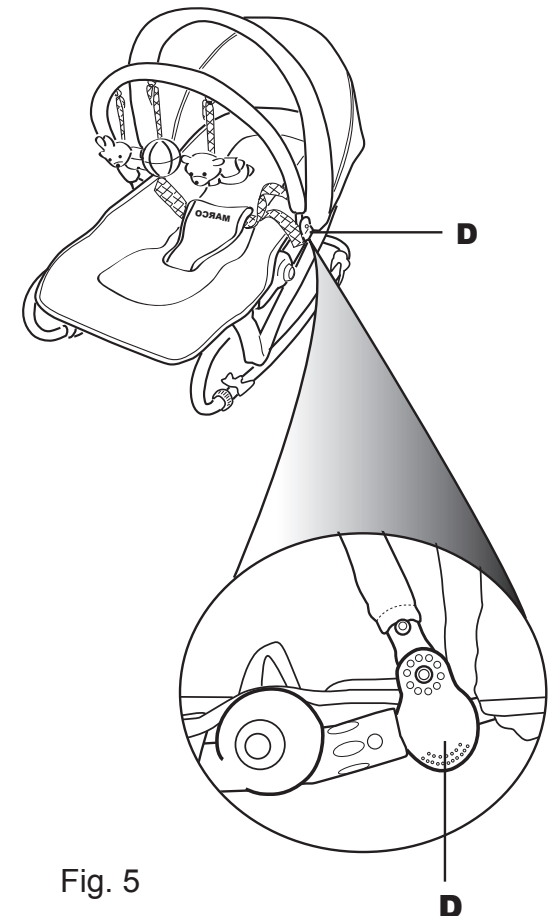


Fig. 5

TO ADJUST THE BACKREST

To adjust the backrest, press the buttons E on both sides of the backrest. Put the backrest in the desired position, and let it engage. (Fig. 6)

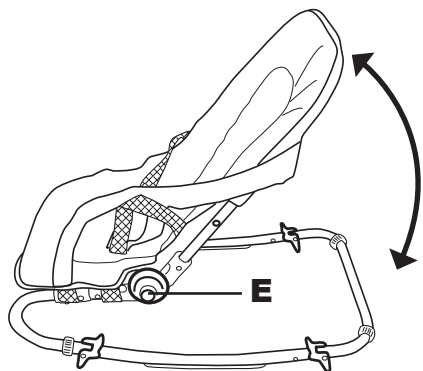


Fig. 6

SAFETY BELT

ATTENTION: Always use the safety belt F together with the crotch strap G, and take care to adjust the length correctly. (Fig. 7.1, Fig. 7.2)

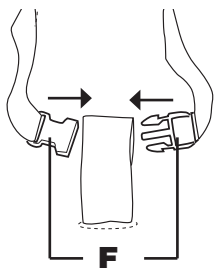


Fig. 7.1

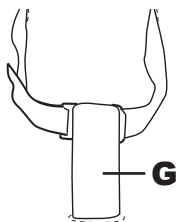


Fig. 7.2

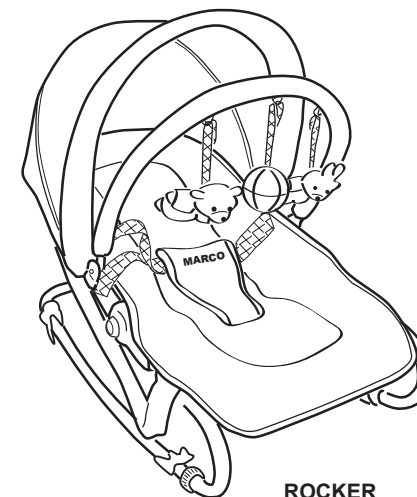
! MAINTENANCE !

The textiles are easily removable and handwashable at 30° C.
The frame should be wiped with a damp cloth and mild soap. Don't use strong detergents, they could damage plastic.

! WARNINGS !

WARNING: Never leave your child unattended in the rocker.
WARNING: Before use make sure that all parts are in working order and all locking devices engaged.
WARNING: This rocker is destined for children who cannot yet sit by themselves (up to about 6 months, resp. 9 kg)
WARNING: Always use the safety belt.
WARNING: Only one child may be put in the rocker.
WARNING: Don't let children play unattended near the rocker.
WARNING: In order to prevent injuries to your child, keep the rocker away from sources of danger such as e.g. open fire, stoves, cookers, sources of electricity, sharp edges, curtain cords or water tanks.
WARNING: It is dangerous to place the rocker on elevated surfaces.
WARNING: Please do not make any changes to the product that could affect safety.

USERS' INSTRUCTIONS



This rocker is destined for children who cannot yet sit by themselves (up to about 6 months, resp. 9 kg)

IMPORTANT: Read these instructions carefully before use and keep them for future reference. Your child's safety may be affected if you do not follow these instructions.

MARKETING AND DISTRIBUTION
MARCO HANDELSGESELLSCHAFT M.B.H.
A-5440 GOLLING, AUSTRIA
www.marco4bb.com

© MARCO HANDELSGESELLSCHAFT M.B.H., 2007
A-5440-Golling, Austria