

TO OPEN

Hold the lower frame ring A tightly and pull the upper frame ring B upwards until the frame locks click into place. Fig. 1
Turn locking button C below frame ring B into the locking position. Fig. 3

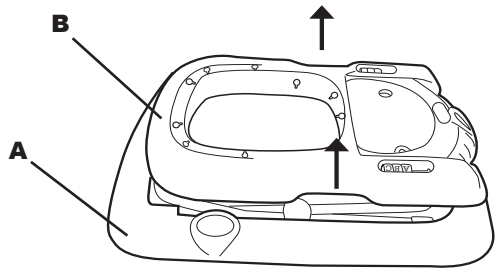


Fig. 1

TO FIT THE WHEELS

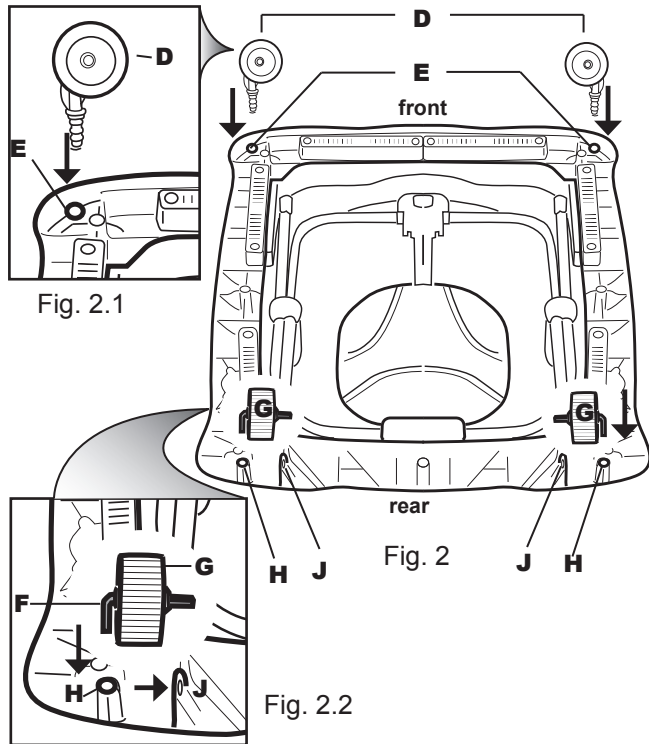


Fig. 2.1

Fig. 2

Fig. 2.2

Insert the front wheels D into the openings E on the front side of frame ring A until they engage. (Fig. 2, Fig. 2.1)

insert the axle F into the rear wheel G. (Fig.2.2)
Push the plastic part with the opening J a little bit outwards and press the axle F into the openings H and J until it engages with a click. (Fig.2, Fig.2.2)

TO ADJUST SEAT HEIGHT:

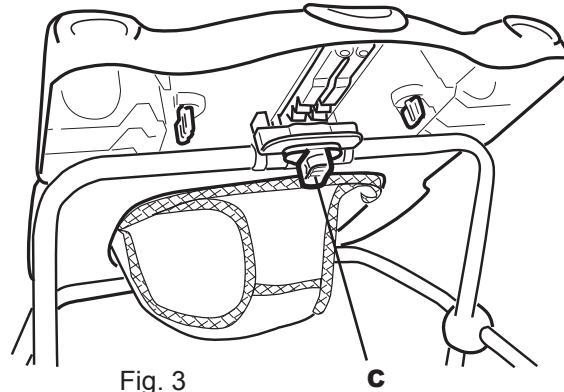


Fig. 3

The seat height of the baby walker can be adjusted to three positions.

Turn locking button C so that it fits into opening F (Fig. 4). Push button C into the opening. Release lever K and adjust the walker to the required height. Fig. 4.

Make sure that the frame engages safely. Turn locking button C into the locking position. Fig. 3

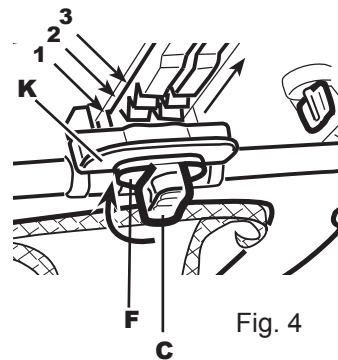


Fig. 4

TO FOLD:

To fold the baby walker open the locking device in the same way as when adjusting the seat height.
Push the upper frame ring B completely down until it engages.

TO FIT THE SEAT:

Insert the plastic buttons L1 of the seat into the corresponding openings L2 (Fig. 5) and push them into the slots.

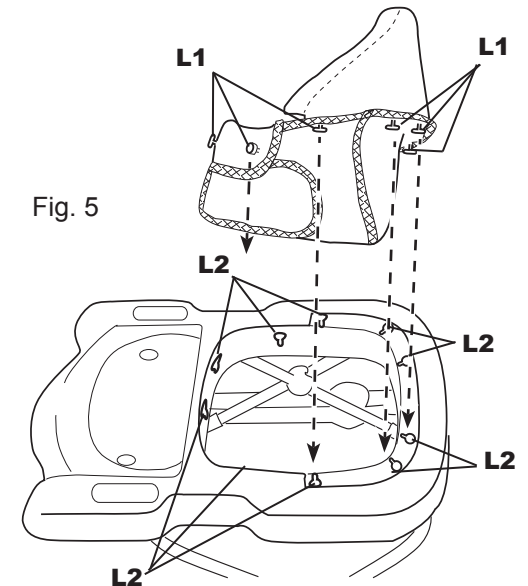


Fig. 5

TOY-CONSOLE

Insert two AA 1,5 Volt batteries into the battery compartment. (Fig.6)

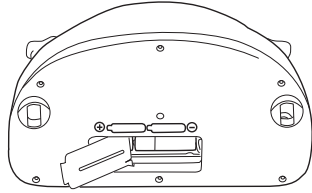


Fig. 6

Fit the toy console into the console mounting M (Fig.7) and fix it by turning the screws N (Fig.8)

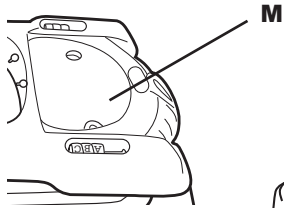


Fig. 7

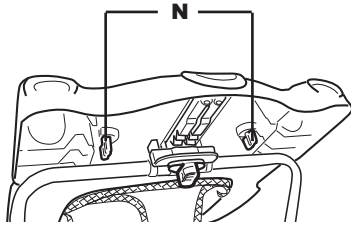
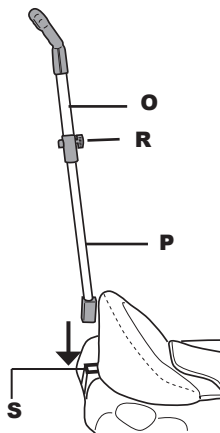


Fig. 8

HANDGRIP (Model MARCO Go Go S)

Insert tube O into tube P of the handgrip and fix it with the screw R. (Fig. 9)

Insert the handgrip in the opening S on the back of the upper frame ring B until it engages. (Fig. 9)



! MAINTAINANCE !

Wash the seat unit by hand only, dont use softeners and dry by air after washing.
The frame should be wiped with a damp cloth and mild soap. Don't use strong detergents, they could damage plastic.

! NOTE !

This baby walking frame is intended to be used by children who can sit unaided, approximately: from 6 months. It is not intended for children who can walk by themselves or children weighing more than 12 kg.
The child will be able to reach further and move faster then before when in the baby walking frame
Guard all fires, heating and cooking appliances.
Remove hot liquids, electrical flexes and other potential hazards.
Spare parts or accessories which are not approved by the manufacturer or dealer may not be used.
All parts of the vehicle should be inspected regularly to ensure that they function properly. Please do not make any changes that could affect the safety.

! WARNINGS !

WARNING: It may be dangerous to leave your child unattended.
WARNING: Ensure that all the locking devices are engaged before use.
WARNING: Make sure that your child cannot reach staircases steps or uneven surfaces.
WARNING:Guard all fires, heating and cooking appliances.
WARNING:This baby walking frame should be used by children only for short periods of time (e.g. 20 min)

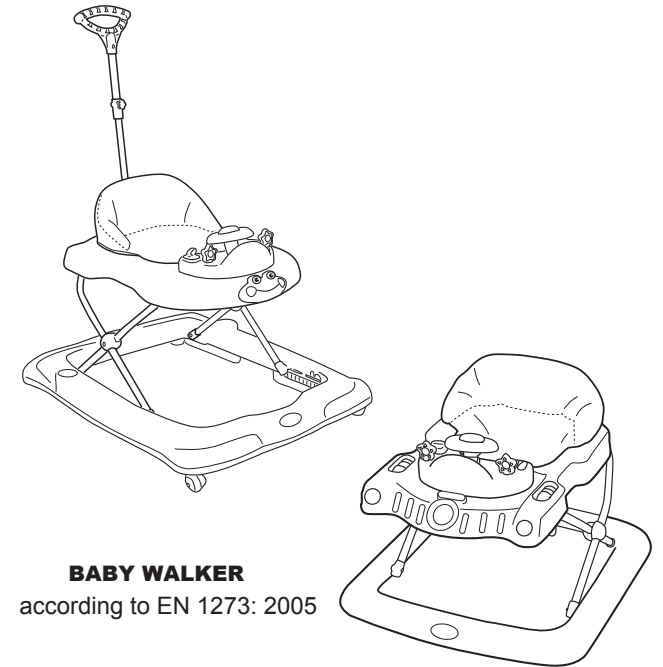
! ATTENTION !

Dont throw batteries into the dustbin, but treat them as hazaradous waste

USER'S INSTRUCTIONS

for the models **MARCO Go-Go L** and **MARCO Go-Go S**

IMPORTANT: Please read these instructions carefully before use and keep them for future reference. Your child's safety may be affected if you do not follow these instructions.



BABY WALKER
according to EN 1273: 2005

MARKETING AND DISTRIBUTION
MARCO HANDELSGESELLSCHAFT M.B.H.
A-5440 GOLLING, AUSTRIA
www.marco4bb.com

© MARCO HANDELSGESELLSCHAFT M.B.H., 2007
A-5440-Golling, Austria