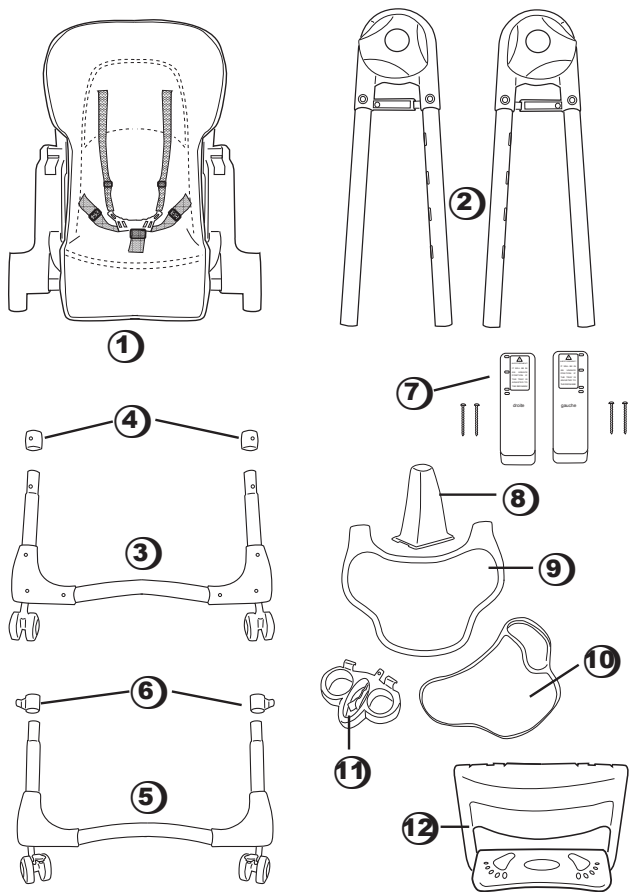


PARTS LIST

1. Seat unit with cover and 5 point harness
2. legs - upper parts
3. legs (lower part) - front
4. sleeves for front legs
5. legs (lower part) - rear (with brakes)
6. sleeves for rear legs
7. feeding tray supports (incl. screws)
8. anti-skid unit
9. feeding/play - tray
10. feeding tray insert
11. cup holder
12. leg rest



ASSEMBLY OF LEGS

Slide the upper part ② of the highchair legs through the openings in the locking devices A1 on both sides of the seat.

Take care, that the tubes with the openings B1 are in front and the folding buttons C1 face outwards. (Fig. 1)

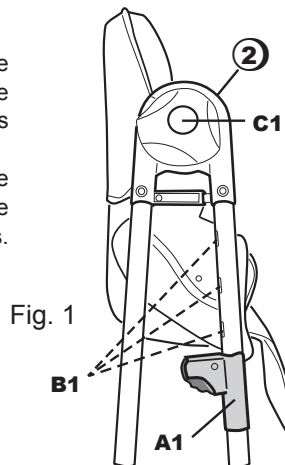


Fig. 1

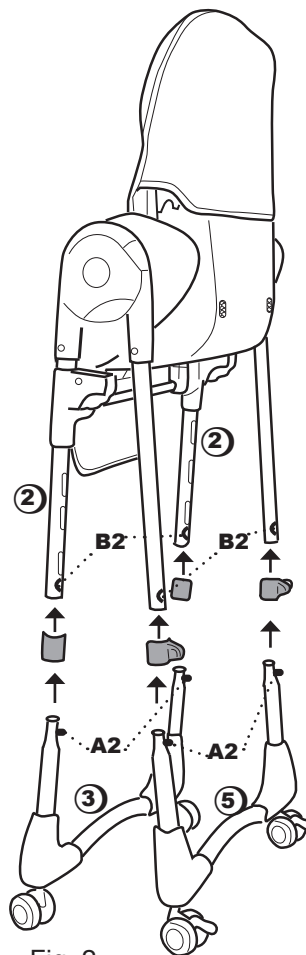


Fig. 2

Assembly of the lower leg parts: 1. Press the spring buttons A2 slightly inwards, slide the corresponding covers over the spring buttons and turn them, so that the spring buttons are pushed inwards. (Fig. 3.1, Fig 3.2)

2. Insert the front legs of the highchair ③ with the caps into the upper front legs ②. Push them strongly until the spring buttons engage. Turn the covers, so that the spring buttons lock into the openings in the covers.

(Fig. 2, Fig 3.3, Fig. 3.4) 3. Repeat this process with the rear legs.

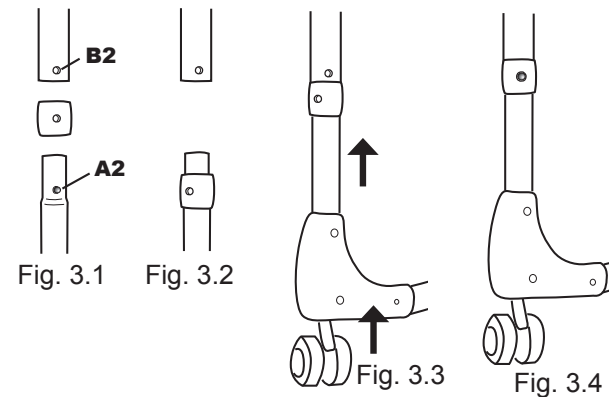


Fig. 3.1

Fig. 3.2

Fig. 3.3

Fig. 3.4

ASSEMBLY OF ARMRESTS

Place the armrests ⑦ into the fittings on both sides and tighten the enclosed screws A4. (Fig.4)

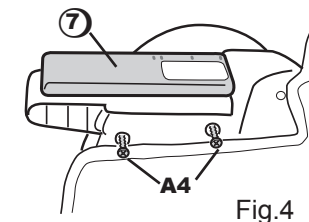
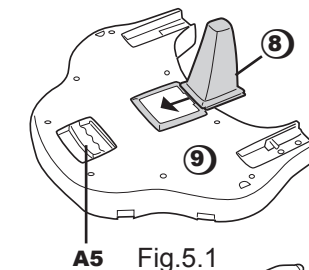


Fig.4

ASSEMBLY OF THE FEEDING/PLAY TRAY

Insert the anti-sliding protection ⑧ into the lock on the underside of the feeding/play tray ⑨. (Fig. 5.1)

To attach the feeding/play tray to the highchair, pull the release lever A5 push the tray into the guidings of the armrests until it engages. (Fig. 5.2)



A5 Fig.5.1

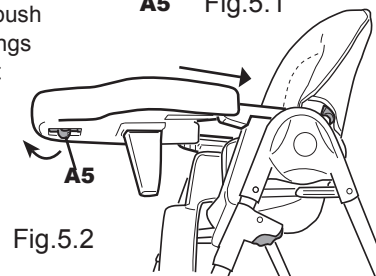
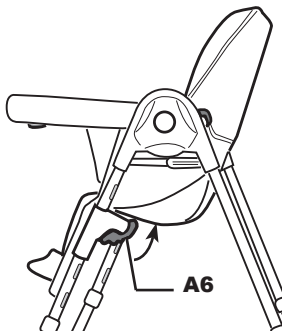


Fig.5.2

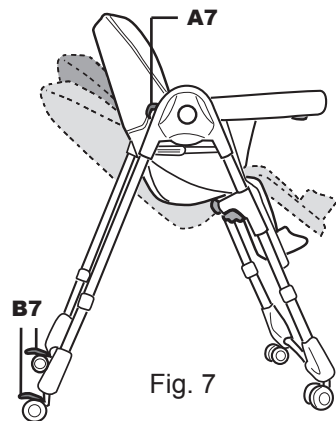
TO ADJUST THE HEIGHT

Pull up the levers A6 at each side and adjust the seat into the required position. (Fig. 6)

Fig. 6



TO ADJUST THE BACKREST



The backrest can be adjusted to three positions. Pull up the levers A7 at each side and adjust the backrest into the required position. (Fig. 7)

BRAKES

To fix the brakes push the levers B7 downwards. (Fig. 7)

ATTENTION: The brakes should always be engaged while the feeding chair is in use.

TO OPEN AND FOLD

TO OPEN: Press the buttons A8 inwards on both sides. Unfold the highchair until it engages with a „click“.

TO FOLD: Adjust the backrest to the upright position. Remove the feeding/play tray. Adjust the highchair to the lowest position. Press the buttons A8 inwards on both sides. Fold the highchair inwards until it engages with a „click“.

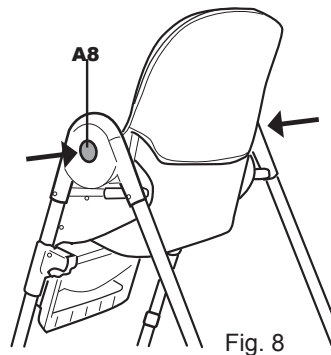


Fig. 8

SAFETY HARNESS

TO OPEN: press in the spring clips A9 at the side of the buckle B9. The harness will open. (Fig. 9)

TO CLOSE. Push the clips on the right and left shoulder harness into the buckle B9. (Fig. 9).

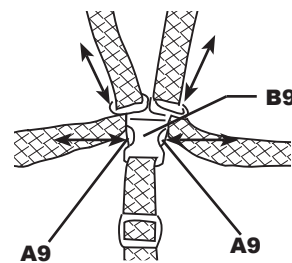


Fig. 9

Make sure that the belts are adjusted to the correct length so that they cannot slip..

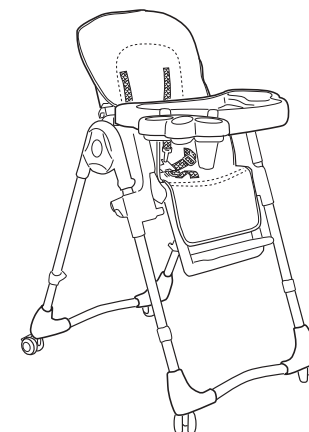
!	NOTE	!
<p>The high chair is not suitable for children who cannot sit unaided. Spare parts or accessories which are not approved by the manufacturer or dealer may not be used. All parts of the high chair should be inspected regularly to ensure that they function properly. Do not use the highchair if any part is broken, missing or does not function properly. Please do not make any changes that could affect the safety.</p>		

!	WARNINGS	!
<p>WARNING: It may be dangerous to leave your child unattended. WARNING: Don't let children play unattended near the highchair. WARNING: Always use the safety harness. WARNING: Ensure that all the locking devices are engaged before use. WARNING: Never place the high chair in reach of sockets, heaters or similar sources of danger. WARNING: Ensure that the high chair is placed on a firm level surface. WARNING: Before making adjustments make sure your child is not in the highchair.</p>		

USER'S INSTRUCTIONS

IMPORTANT: Read these instructions carefully before use and keep them for future reference. Your child's safety may be affected if you do not follow these instructions.

This highchair is intended for a child from 6 months to 3 years old and up to a maximum weight of 15kg.



MAINTENANCE: Don't put the seat cover in the washing machine. All parts of the highchair can be wiped with a damp cloth and mild soap. Don't use strong detergents, they could damage plastic

MARKETING AND DISTRIBUTION
MARCO HANDELSGESELLSCHAFT M.B.H.
A-5440 GOLLING, AUSTRIA
www.marco4bb.com

© MARCO HANDELSGESELLSCHAFT M.B.H., 2006
A-5440-Golling, Austria